

CERTIFICATION



HACCP International



ISO9001

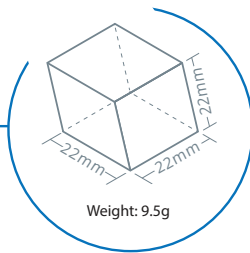
ICE MATE

by  **HOSHIZAKI**

SRM-450AB-S-B-501SA

ICE MAKER

DICE



ICEMATE is committed to bringing high-efficiency / energy-saving, and high quality ice-making product to people who have dreams and desire to create their own business with the best scientific technology and manufacturing technology.

KEY FEATURES

SAFETY AND HYGIENE ASSURED ICE MACHINE

AUTO-CLEANING



Timely maintenance of water system can extend life of equipment.

PURE ICE



Overflow self-cleaning function, ensuring ice hygiene

IoT



Slow melt Dilution



Slow Dilution
Slower melting speed due to -7°C of inside temp of ice cube

Powerful Ice Making



Powerful Ice Making

Designed for commercial Ice Machine



Energy & Water Saving, Quiet Operation



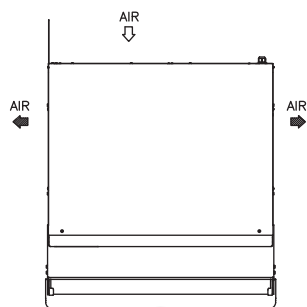
Energy & Water Saving, Quiet Operation

Scientific water cycle system
The water circulation system reuses water and reduce waste



Low energy consumption
Long life compressor
Low energy consumption during operation

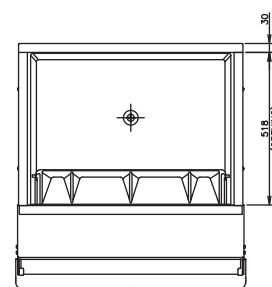
Noise Reduction
Stable compressor operation
Machine runs quietly and smoothly



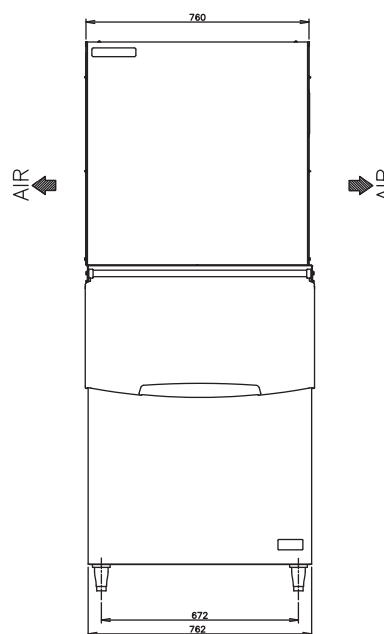
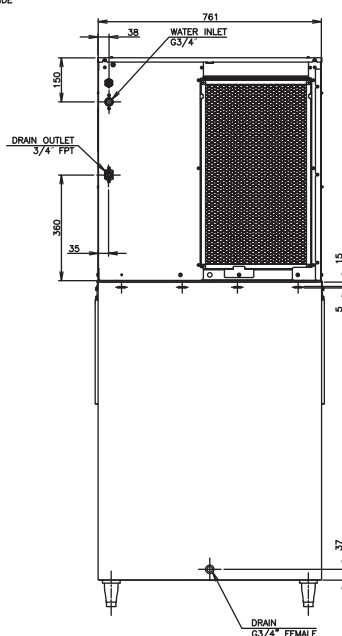
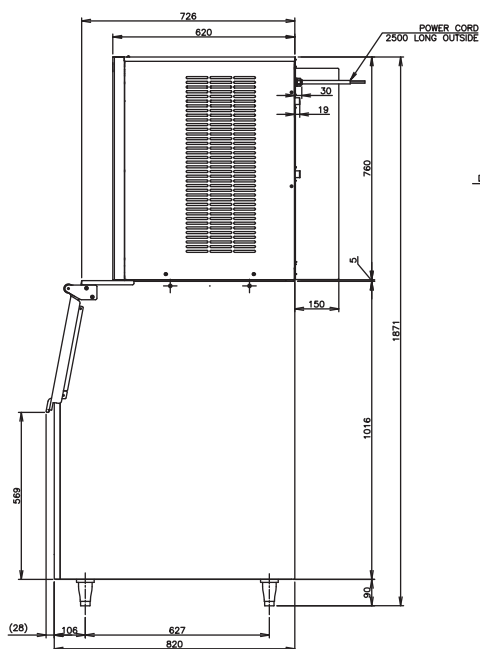
RIGHT SIDE

BACK SIDE

BIN TOP VIEW



FRONT SIDE



SPECIFICATIONS

| | |
|--------------------------------|--|
| Ice Dimensions (W x D x H) | 22 x 22 x 22 mm |
| Outside Dimensions (W x D x H) | 762 x 820 x 1871 (~1901) mm |
| Package Dimensions (W x D x H) | Ice Maker: Pallet+Carton: 865 x 720 x 945mm Storage Bin: 866 x 924 x 1138mm |
| Weight (Net / Gross) | Ice Maker: 95kg / 105kg Storage Bin: 47kg / 57kg |
| Amperage / Starting Amperage | 10.81A/45.7A |
| Electrical Consumption | (AT32°C / WT21°C) 2094.5W |
| Refrigerant Charge | R404A/900g |
| Ice Storage Capacity | Maximum 217 kg |
| Ice Production per 24H | (AT10°C / WT10°C) Approx. 450 kg (AT21°C / WT15°C) Approx. 370 kg (AT32°C / WT21°C) Approx. 283 kg |

| | |
|----------------------------------|---|
| Water Consumption per 24H | (AT32°C/WT21°C) 0.32m ³ (1.1 L / kg Ice) |
| Ice Production Freeze Cycle Time | (AT21°C/WT15°C) 15.8 min |
| Ice Production per Cycle | (AT21°C/WT15°C) Approx. 4.19kg / 440pcs |

OPERATING CONDITIONS

| | |
|-----------------------|---------------------------------|
| Voltage Range | 198 - 242 V |
| Ambient Temperature | 5 - 38°C |
| Water Supply | 5 - 32°C |
| Water Supply Pressure | 0.07 - 0.55 Mpa (0.7 - 5.5 bar) |
| Supply Voltage | 1/220 - 240V / 50Hz |



HOSHIZAKI

HOSHIZAKI VIETNAM CORPORATION

168/14 Nguyen Gia Tri, Thanh My Tay Ward, Ho Chi Minh City Vietnam 760000
TEL +84 0 916 161 346 | <https://hoshizaki-sea.com/>